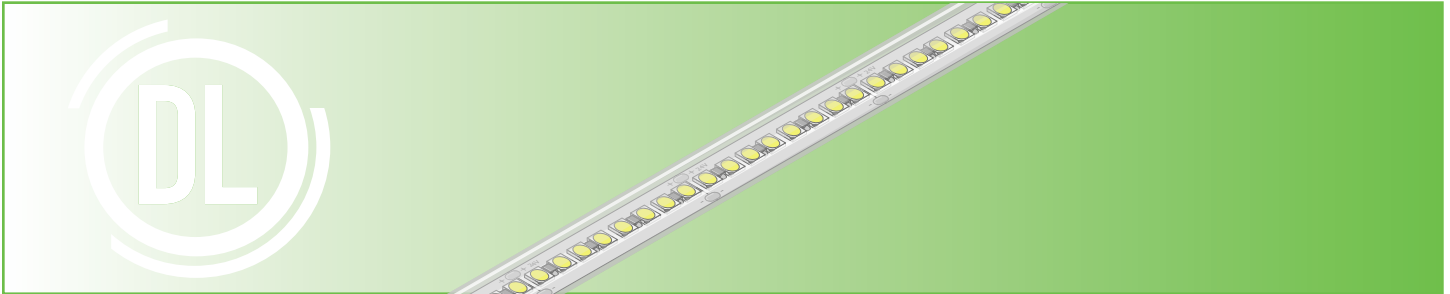




Item # _____

Project _____



SPECIFICATIONS

DI-24V-		VLX5
Voltage		24VDC
Wattage		4.6W/ft.
Lumens¹	2400K	466 Lm/ft.
	2700K	437 Lm/ft.
	3000K	469 Lm/ft.
	3500K	492 Lm/ft.
Max. Run²		30 feet
Cut Points		1.32 in
LED Chips		72/foot

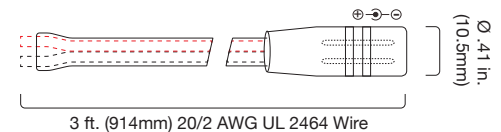
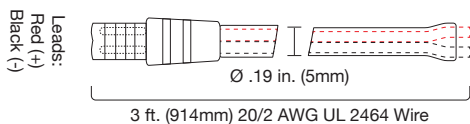
DI-24V-	VLX5
CRI	95+
Dimmable	Yes
Field Cuttable	Yes
Dimensions	0.55 x 0.22 in. (W x H)
Environment*	Indoor / Outdoor / IP65
Certification	UL Listed 2108
Warranty	12-Year Warranty

*WARNING: NOT FOR USE IN SUBMERSIBLE APPLICATIONS

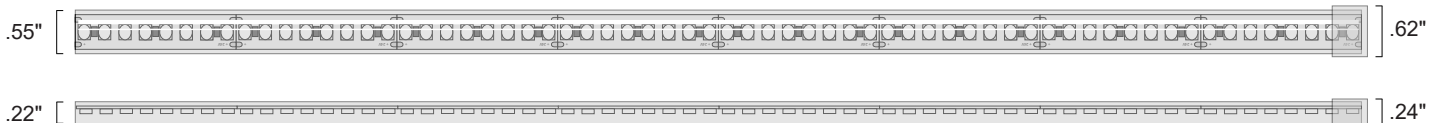
FEATURES

- 95+ CRI
- High R9 (95) & R13 (100) values
- Ultra high lumen output

MECHANICAL DIAGRAM



Cut Point: 1.32 in.




VALENT® X WET LOCATION – 24V LED Strip Light

SPECIFICATION SHEET

CUSTOM LENGTH TAPE

SKU Builder



DI	-	24V	-	VLX5	-		-	W	
		Voltage		Model		Color Temp		Length (in.)	
							COLOR TEMP	LENGTH	
							24	Length (in.)	
							27	016	
							30	100	
							35		

Example: DI-24V-VLX5-30-W016 = Diode LED, 24 Volt, VALENT® X, 3,000° CCT, Wet Location, 16.4 foot spool.

NOTE: All custom cut Tape Lights include 96" lead wires.

1. Lumen value measured in accordance to IES LM-80-08. LED chips have a luminous flux range with a tolerance of +/- 5%.
2. Each maximum run requires a dedicated power feed from the driver. Do not extend beyond the recommended maximum run length. Max run may exceed Class 2 limit. Actual wattage may differ from calculated wattage due to voltage drop across run.
3. Actual efficacy value is dependent to specified LED driver (power supply). An estimated efficacy value can be calculated as follows: Lumen value divided by average power consumption per foot.
4. Do not install product in an environment outside the listed ambient temperature. Exceeding the maximum ambient temperature may damage LED chips, reduce the total lamp life, lumen output, and/or adversely impact color consistency.
5. Operating temperature is measured according to the minimum and maximum ambient temperature environment.

VALENT® X WET LOCATION - 24V LED Strip Light

SPECIFICATION SHEET

COMPATIBLE PRODUCTS

The following Listed LED Drivers are recommended for compatibility and to meet NEC code when installed according to specifications. For additional LED Driver options see Diode LED's product page at: <https://www.diodeled.com/products/led-power-supplies.html>

STAND ALONE

SWITCHEX® DRIVER + DIMMER SWITCH

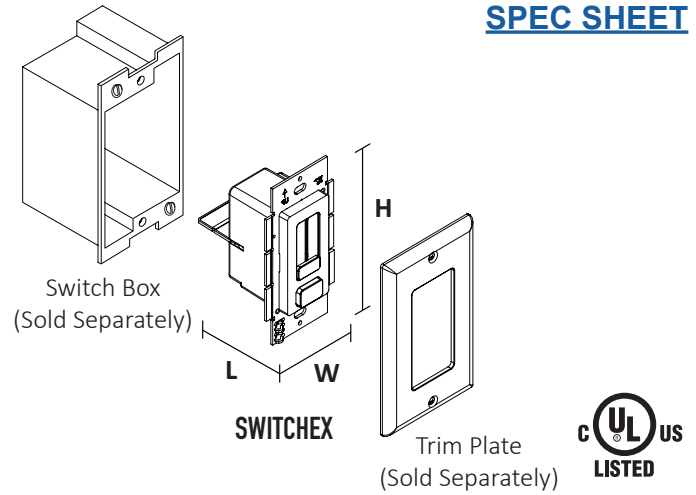
SWITCHEX combines an LED driver and LED dimmer switch into a single integrated unit. Fits into standard switch boxes.

[SPEC SHEET](#)

	Voltage Output		Power Output
DI	24V	SE	60W

SKU	L - LENGTH	W - WIDTH	H - HEIGHT
DI-24V-SE-60W	1.40 in.	2.10 in.	4.10 in.
DI-24V-SE-100W	1.40 in.	2.10 in.	4.10 in.

Fits in Standard Switch Box



ON/OFF, DMX, & PWM CONTROL

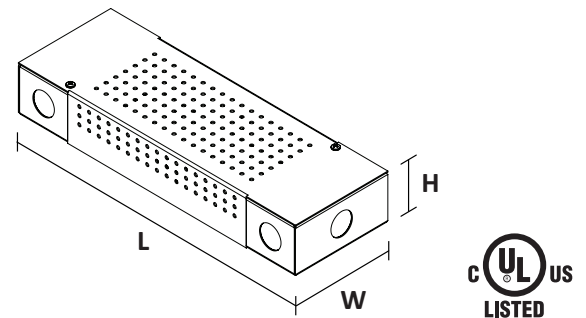
LO-PRO® JUNCTION BOX & DRIVER COMBO - 24V CONSTANT VOLTAGE LED DRIVER

Use Constant Voltage Drivers to power your lighting system. Compatible with Standard 120VAC On/Off Switches, REIGN® Low Voltage Dimmers, TOUCHDIAL™ Control System, DMX Decoders, and PWM Controls.

[SPEC SHEET](#)

	Voltage & Power Output	Junction Box
DI	0970	LPS

SKU	L - LENGTH	W - WIDTH	H - HEIGHT
DI-0970-LPS	11.25 in.	3.75 in.	1.90 in.
DI-CV-MW24V60W-277-LPS	11.25 in.	3.75 in.	1.90 in.
DI-CV-MW24V90W-277-LPS	11.25 in.	3.75 in.	1.90 in.
DI-0954-LPL	13.5 in.	4.5 in.	2.37 in.



VALENT® X WET LOCATION - 24V LED Strip Light

SPECIFICATION SHEET

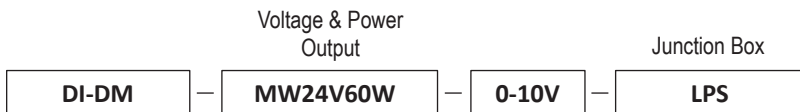
COMPATIBLE PRODUCTS

The following Listed LED Drivers are recommended for compatibility and to meet NEC code when installed according to specifications. For additional LED Driver options see Diode LED's product page at: <https://www.diodeled.com/products/led-power-supplies.html>

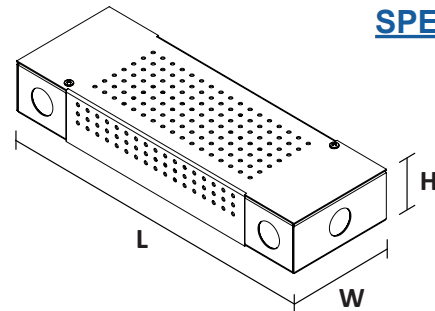
0-10V

LO-PRO® JUNCTION BOX & DRIVER COMBO - 24V COMMERCIAL GRADE 0-10V LED DIMMABLE DRIVER

Compatible with 0-10V controls and dimming systems.



SKU	L - LENGTH	W - WIDTH	H - HEIGHT
DI-DM-MW24V60W-0-10V-LPS	11.25 in.	3.75 in.	1.90 in.
DI-DM-MW24V90W-0-10V-LPL	13.5 in.	4.5 in.	2.37 in.



[SPEC SHEET](#)



ELECTRONIC DRIVERS

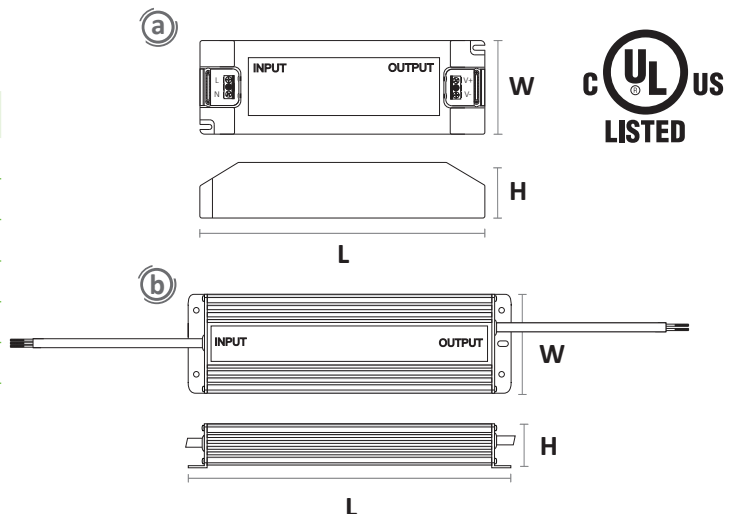
OMNIDRIVE® 24V ELECTRONIC DIMMABLE LED DRIVER

Compatible with Forward Phase and Reverse Phase Dimmers. Please see Diode LED's Compatibility List at: <https://www.diodeled.com/custom/download/productFile/filename/DI-OD2-Compatibility%20List.pdf/>



SKU	L - LENGTH	W - WIDTH	H - HEIGHT
DI-TD-24V-10W	a 5.5 in.	1.8 in.	1.1 in.
DI-TD-24V-20W	a 5.5 in.	1.8 in.	1.1 in.
DI-TD-24V-30W	a 7 in.	2.3 in.	1.4 in.
DI-TD-24V-45W	a 7 in.	2.3 in.	1.4 in.
DI-TD-24V-60W	b 7.9 in.	2.7 in.	1.8 in.
DI-TD-24V-80W	b 7.9 in.	2.7 in.	1.8 in.
DI-TD-24V-120W	b 9.1 in.	2.7 in.	1.8 in.

[INDOOR SPEC SHEET](#)
[OUTDOOR SPEC SHEET](#)



VALENT® X WET LOCATION - 24V LED Strip Light

SPECIFICATION SHEET

COMPATIBLE PRODUCTS

The following Listed LED Drivers are recommended for compatibility and to meet NEC code when installed according to specifications. For additional LED Driver options see Diode LED's product page at: <https://www.diodeled.com/products/led-power-supplies.html>

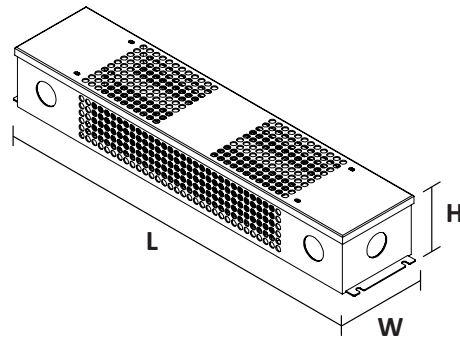
OMNIDRIVE® 2 ELECTRONIC DIMMABLE LED DRIVER

OMNIDRIVE 2 features a zero minimum load and 100-5% dimming range. Compatible with Forward Phase and Reverse Phase Dimmers. Please see Diode LED's Compatibility List at: <https://www.diodeled.com/custom/download/productFile/filename/DI-OD2-Compatibility%20List.pdf>

[SPEC SHEET](#)

DI	OD2	Voltage & Power Output 24V24W
----	-----	---

SKU	L - LENGTH	W - WIDTH	H - HEIGHT
DI-OD2-24V24W	13.75 in.	3.00 in.	1.60 in.
DI-OD2-24V60W	13.75 in.	3.00 in.	1.60 in.
DI-OD2-24V96W	15.00 in.	3.10 in.	2.40 in.
DI-OD2-24V120W	15.00 in.	3.10 in.	2.40 in.
DI-OD2-24V200W	16.10 in.	3.40 in.	2.40 in.



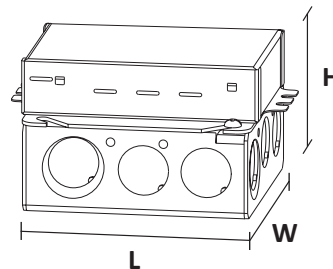
LUTRON OPTIONS

LUTRON® Hi-lume 1% LED DIMMABLE DRIVER

Hi-lume 1% LED Driver has a minimum load of 5W and dims from 100-1%.

DI-DM	Voltage & Power Output 24V40W	3-Wire or 2-Wire Dimmers L3D
-------	---	--

SKU	L - LENGTH	W - WIDTH	H - HEIGHT
DI-DM-24V40W-L3D	4.89 in.	4.00 in.	2.62 in.
DI-DM-24V40W-LTE			



[L3D SPEC SHEET](#)

[LTE SPEC SHEET](#)

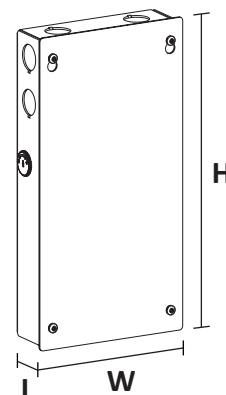


LUTRON® Hi-lume Premier 0.1% LED DIMMABLE DRIVER

Hi-Lume Premier 0.1% LED Driver has a minimum load of 5W and dims from 100-0.1%.

DI-DM	Voltage & Power Output 24V96W	L3D
-------	---	------------

SKU	L - LENGTH	W - WIDTH	H - HEIGHT
DI-DM-24V96W-L3D	5.50 in.	2.20 in.	10.50 in.



[SPEC SHEET](#)



VALENT® X WET LOCATION - 24V LED Strip Light

SPECIFICATION SHEET

SPECIFICATIONS

- Input: 24VDC Constant Voltage
- LED Chip Type: 2835 GuangMu
- LED Chip Beam Angle: 120°
- Luminous Efficacy³ (lm/w): 95 - 107
- Mounting: 3M mounting tape on back of tape.
- Connections: 36" female DC lead, and 36" bare lead: 20/2 AWG
- Ambient Temp⁴: -4 - 122°F (-20 ~ 50°C)
- Operating Temp⁵: -4 - 176°F (-20 ~ 80°C)

SPECIFYING?

Note: The compatible products listed in this Specification Sheet are provided for reference only. For complete specifications of compatible products, click on the [SPEC SHEET](#) links provided.

COMPLIANCE & REGULATORY APPROVALS

Safety

- UL Listed 2108 Flexible Lighting Systems. Certified for United States and Canada. File # E469769.

Performance

- Can be used to comply with TITLE 24 Part 6 High efficacy LED requirements - JA8-2016-E
- LED chip data measured in accordance to IES LM-80-08.
- Photometric & Colorimetry data measured in accordance to IES LM-79-08, in Elemental LED's Innovation Lab.

VALENT® X WET LOCATION – 24V LED Strip Light

SPECIFICATION SHEET

ADDITIONAL INFORMATION

- VALENT® X 24V LED STRIP LIGHT Installation Guide

SAFETY / WARNINGS / DISCLOSURES

1. Install in accordance with national and local electrical code regulations.
2. This product is intended to be installed and serviced by a qualified, licensed electrician.
3. Only install with a listed Class 2 DC Constant Voltage LED Driver.
4. Not for use in or on walls of pools, fountains, or other partially or fully submersed locations.
5. Do not modify or disassemble product beyond instructions or this warranty will be void.
6. Actual color may vary from what is pictured above and on other print materials due to the limitations of photographic processes.
7. We reserve the right to modify and improve the design of our fixtures without prior notice. We cannot guarantee to match existing installed fixtures for subsequent orders or replacements in regards to product appearance, CCT, or lumen output.

WARRANTY

Limited Warranty

This product has a twelve (12) year limited warranty from the date of shipment. This warranty does not include the additional accessories referenced in this specification sheet. Complete warranty details for fixtures and additional accessories are available at www.diodeled.com/limited-warranty/ within the Policies section. For warranty related questions please contact product support.

Consumer's Acknowledgment

Elemental LED, Inc. stands behind its products when they are used properly and according to our specifications. By purchasing our products, the purchaser agrees and acknowledges that lighting design, configuration and installation is a complex process, wherein seemingly minor factors or changes in layout and infield adjustments can have a significant impact on an entire system. Choosing the correct components is essential. Elemental LED is able to work with the original purchaser to make an appropriate product selection to the extent of the limited information that the customer can provide, but it is virtually impossible for Elemental LED to design a system that foresees every unknown factor. For this reason, this Warranty does not cover problems caused by improper design, configuration or installation issues. Any statement from an Elemental LED employee or agent regarding a customer's bill of goods and/or purchase order is NOT an acknowledgment that the products purchased are designed and configured correctly. The purchaser agrees and acknowledges that it is the customer's responsibility to adhere strictly to all information contained in the Product Specification Sheets.

There is often more than one way to design, configure and layout an LED lighting application properly to achieve the same lighting effect. Elemental LED strongly recommends that licensed professionals be used in the design and installation of lighting systems that include Elemental LED products. The specifications include important information that a designer and installer should carefully review and strictly follow. Qualified designers and certified and/or licensed installers, with access to the final installation environment, customer goals, and Elemental LED product specifications can make the requisite decisions appropriate for a successful finished lighting application.



© 2019 Elemental LED, Inc. All rights reserved.
Specifications are subject to change without notice.

Toll Free: 877.817.6028 | Fax: 415.592.1596 | www.DiodeLED.com | info@DiodeLED.com